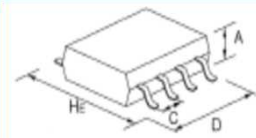


Package



Package Type	Pin Count	Package Name	Package Size(mm)			Pin Pitch(mm)
			He	D	A	C
Flat Lead Type	6	SON-6C	2.00	1.60	0.550	0.500
	6	SON-6F	1.80	1.60	0.550	0.500
Non-Lead Type	4	PLP-4-1228	2.85	1.25	0.600	-
	4	PLP-4E	2.85	1.25	0.500	-
	6	PLP-6G	4.10	2.10	0.500	-
	6	PLP-6J	2.00	1.40	0.480	-
	12	PLP-12A	4.00	2.90	0.600	0.400
	6	SSON-6J	1.40	1.40	0.550	0.500
	6	SSON-6M	1.40	1.40	0.550	0.500
	6	SSON-6N	3.60	1.80	0.650	-
	6	SSON-6U	1.80	1.40	0.400	0.500
	6	SSON-6V	1.80	1.40	0.400	0.500
	6	WLCSP-6D/6E/6F	0.83	1.26	0.360	0.400
	8	WLCSP-8C/8D/8G	0.92	1.51	0.360	0.400
	15	WLCSP-15A	1.46	2.61	0.625	0.500
Gullwing Type	20	VSOP-20A	6.00	8.66	1.500	0.635

Package

Package Name	Dimensional Drawing(mm)	Recommended Land Pattern(mm)
SON-6C	<p>Top view: 1.6±0.05, 6, 4, 1, 3, 0.5, (0.3)</p> <p>Side view: 0.13±0.05, 1.6±0.05, 2.0±0.1</p> <p>Bottom view: 0.55±0.05, 0.22±0.05, 0.1, 0.5</p>	<p>Land pattern dimensions: 0.30, 0.20, 0.70, 1.36, 2.06, 2.76, 0.5</p>
SON-6F	<p>Top view: 1.6±0.05, 6, 4, 1, 3, 0.5, (0.3)</p> <p>Side view: 0.13±0.05, 1.6±0.05, 1.8±0.1</p> <p>Bottom view: 0.55±0.05, 0.22±0.05, 0.1, 0.5</p>	<p>Land pattern dimensions: 0.30, 0.20, 0.52, 1.36, 1.88, 0.5</p>

Package

Package Name	Dimensional Drawing(mm)	Recommended Land Pattern(mm)
PLP-4-1228		
PLP-4E		

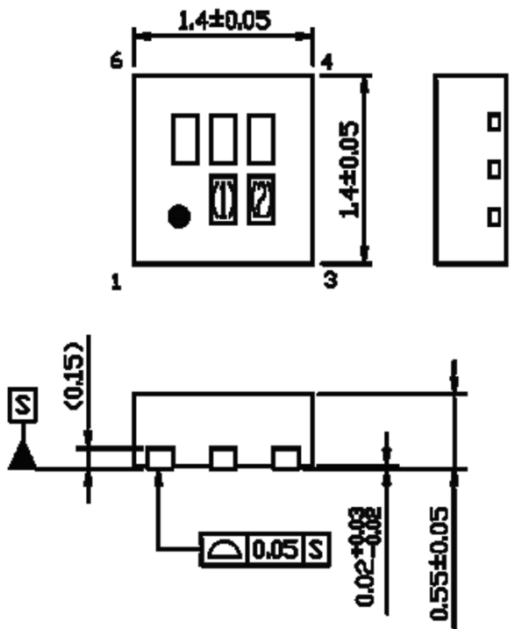
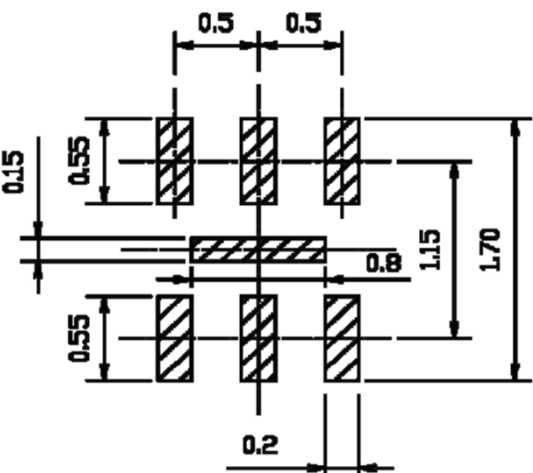
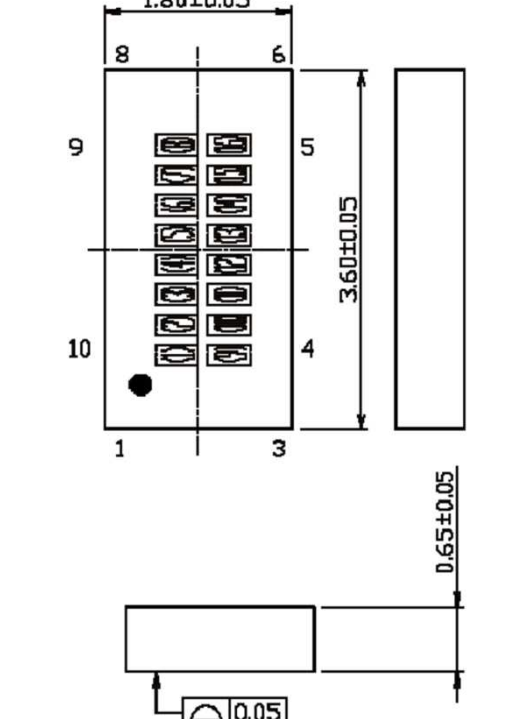
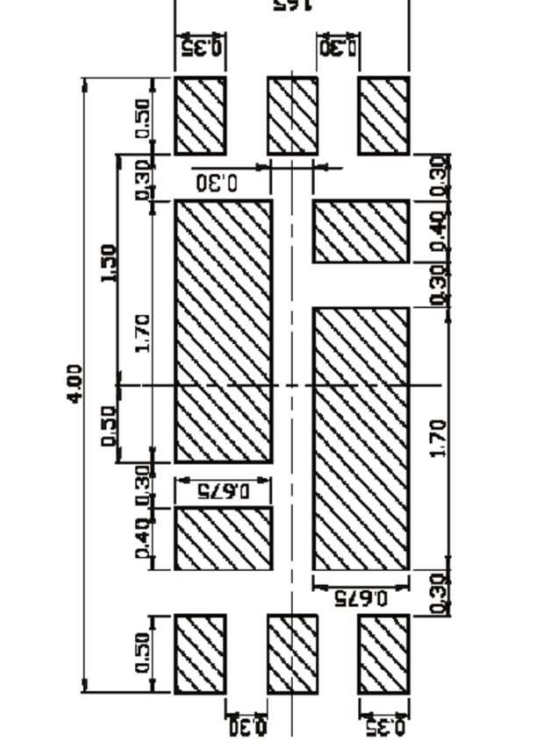
Package

Package Name	Dimensional Drawing(mm)	Recommended Land Pattern(mm)
PLP-6G		
PLP-6J		

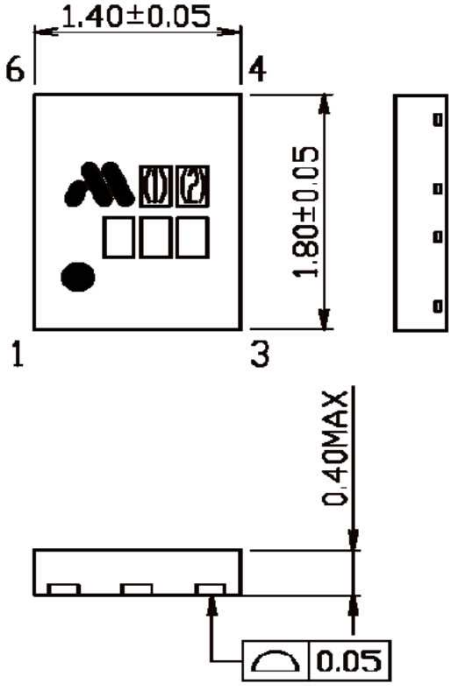
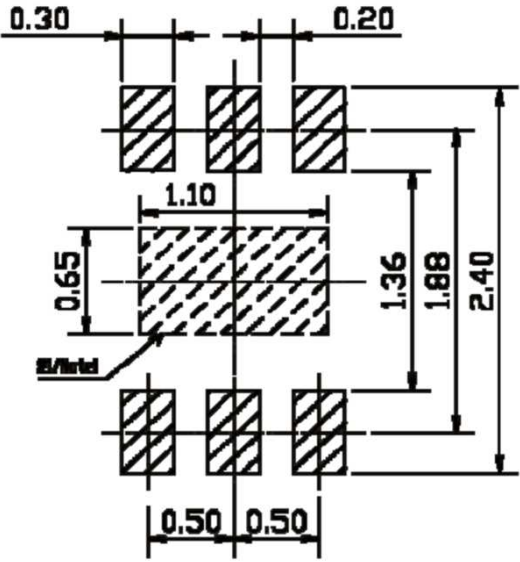
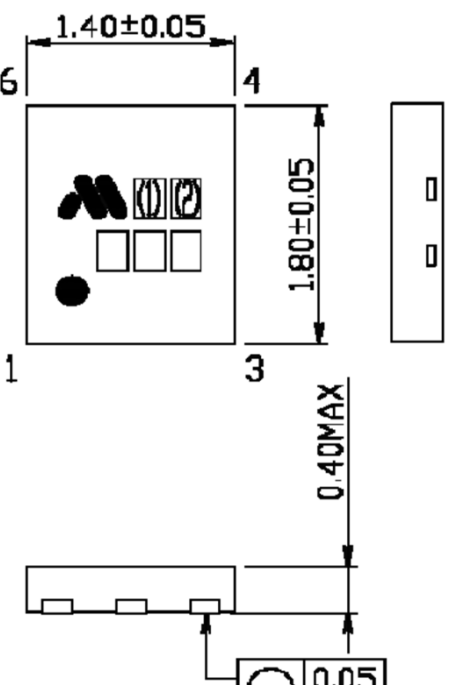
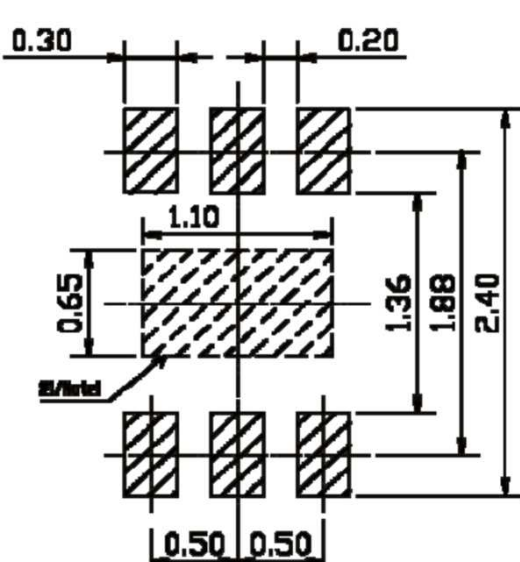
Package

Package Name	Dimensional Drawing(mm)	Recommended Land Pattern(mm)
PLP-12A		
SSON-6J		

Package

Package Name	Dimensional Drawing(mm)	Recommended Land Pattern(mm)
SSON-6M	 <p>Top view dimensions: 1.4±0.05 (width), 1.4±0.05 (height). Pin positions 1, 2, 3, 4, 6 are marked. A circular feature is located near pin 1.</p> <p>Side view dimensions: 0.02±0.02 (height), 0.55±0.05 (height). A 0.05 S surface finish symbol is shown.</p>	 <p>Land pattern dimensions: 0.5 (pitch), 0.5 (pitch), 0.15 (height), 0.55 (width), 0.8 (width), 1.15 (width), 1.70 (width), 0.2 (width).</p>
SSON-6N	 <p>Top view dimensions: 1.80±0.05 (width), 3.60±0.05 (height). Pin positions 8, 6, 9, 5, 10, 4, 1, 3 are marked. A circular feature is located near pin 1.</p> <p>Side view dimensions: 0.65±0.05 (height). A 0.05 S surface finish symbol is shown.</p>	 <p>Land pattern dimensions: 1.55 (width), 0.35 (width), 0.30 (width), 0.50 (width), 0.30 (width), 0.30 (width), 1.50 (width), 1.70 (width), 0.30 (width), 0.40 (width), 0.30 (width), 4.00 (width), 0.50 (width), 0.40 (width), 0.30 (width), 0.675 (width), 0.675 (width), 0.30 (width), 1.70 (width), 0.30 (width), 0.35 (width), 0.30 (width).</p>

Package

Package Name	Dimensional Drawing(mm)	Recommended Land Pattern(mm)
SSON-6U	 <p>Top view dimensions: 1.40±0.05 mm (width), 1.80±0.05 mm (height). Pin 1 is at the bottom-left corner. Pin 6 is at the top-left corner. Pin 4 is at the top-right corner. Pin 3 is at the bottom-right corner. A side view shows a maximum height of 0.40 mm and a lead thickness of 0.05 mm.</p>	 <p>Land pattern dimensions: Pad diameter 0.30 mm, pad-to-pad spacing 0.20 mm. Pad-to-pad distance is 1.10 mm. Pad diameter is 0.65 mm. Pad-to-pad distance is 1.36 mm. Pad-to-pad distance is 1.88 mm. Pad-to-pad distance is 2.40 mm. Pad-to-pad distance is 0.50 mm. Pad-to-pad distance is 0.50 mm.</p>
SSON-6V	 <p>Top view dimensions: 1.40±0.05 mm (width), 1.80±0.05 mm (height). Pin 1 is at the bottom-left corner. Pin 6 is at the top-left corner. Pin 4 is at the top-right corner. Pin 3 is at the bottom-right corner. A side view shows a maximum height of 0.40 mm and a lead thickness of 0.05 mm.</p>	 <p>Land pattern dimensions: Pad diameter 0.30 mm, pad-to-pad spacing 0.20 mm. Pad-to-pad distance is 1.10 mm. Pad diameter is 0.65 mm. Pad-to-pad distance is 1.36 mm. Pad-to-pad distance is 1.88 mm. Pad-to-pad distance is 2.40 mm. Pad-to-pad distance is 0.50 mm. Pad-to-pad distance is 0.50 mm.</p>

Package

Package Name	Dimensional Drawing(mm)	Recommended Land Pattern(mm)
WLCSP-6D WLCSP-6E WLCSP-6F		
WLCSP-8C WLCSP-8D WLCSP-8G		

Package

Package Name	Dimensional Drawing(mm)	Recommended Land Pattern(mm)
WLCSP-15A	<p>Top view dimensions: 2.61 ± 0.03 mm, 1.46 ± 0.03 mm. Lead height: 0.24 ± 0.03 mm. Lead thickness: 0.335 ± 0.02 mm. Lead length: 0.625 MAX mm. Surface finish: 0.05 CZ.</p>	<p>Recommended land pattern: 3 rows by 5 columns of circular pads. Pad diameter: 0.3 mm. Pad-to-pad pitch: 0.5 mm.</p>
VSOP-20A	<p>Top view dimensions: 8.66 ± 0.3 mm, 3.91 ± 0.3 mm. Lead pitch: 0.635 mm. Lead height: 0.22 ± 0.05 mm. Lead thickness: $0.64 + 0.7 - 0.3$ mm. Lead length: 6.0 ± 0.3 mm. Surface finish: 0.1 S.</p> <p>Side view dimensions: 1.5 MAX mm, 0.25 ± 0.1 mm, $0.15 + 0.15 - 0.10$ mm, 1.63 ± 0.3 mm.</p>	<p>Recommended land pattern: 2 rows by 10 columns of rectangular pads. Pad height: 5.40 mm. Pad width: 1.50 mm. Pad-to-pad pitch: 0.635 mm. Pad-to-pad offset: 0.33 mm.</p>